

SSX 16 PIN SERIES



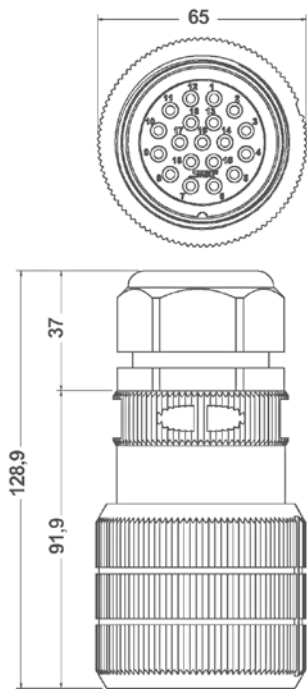
16 pin Connector

Inline and panel versions, male and female, screw connection.

Locking rings and backshells designed for easy handling and increased protection.

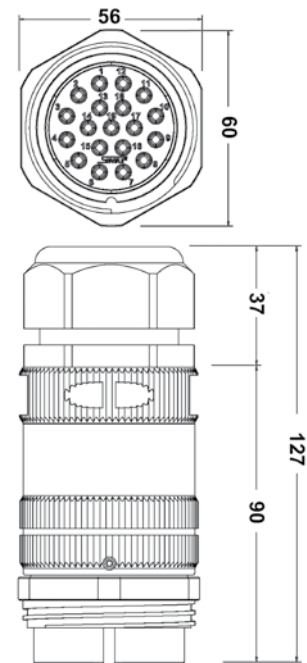
Backshell with anti-twisting grub screw. M40 cable glands.

INLINE MALE

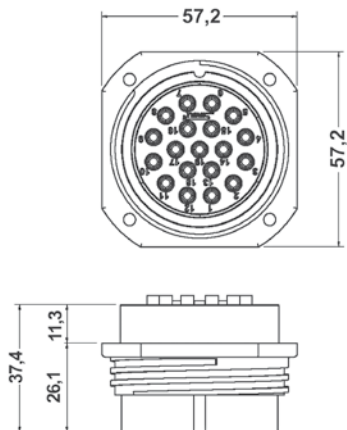


OVERALL SIZE

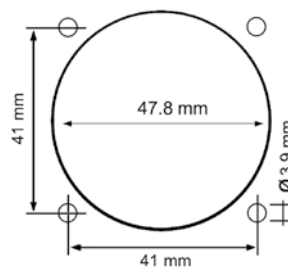
INLINE FEMALE



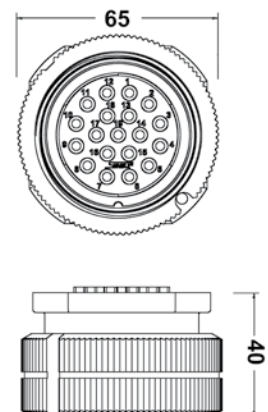
PANEL FEMALE



PANEL CUT-OUT DIMENSIONS



PANEL MALE





WITH 8 HOLES GROMMET

SYNTAX® SSX SPIDER 16 pin connector is an alternative version of the SSX 16 pin standard, studied to get simple managing of break-in and break-out operations. The special 8-way rubber grommet, fitted in the cable gland terminal, guarantees optimal cable retention and a perfect watertight seal IP67 necessary for outdoor use. Supplied with 8 **SYNTAX® MAINFLEX** cable leads, it represents the best solution to meet the requirements as for handling and waterproof IP67 protection.



Moulded nut to insert/pull out the rubber grommet, using the removal tool



Removal tool



Pull out



Wide backshell for easier wiring

Customized cable gland

Safety insulating sleeve

8-way rubber grommet

SYNTAX® MAINFLEX cable