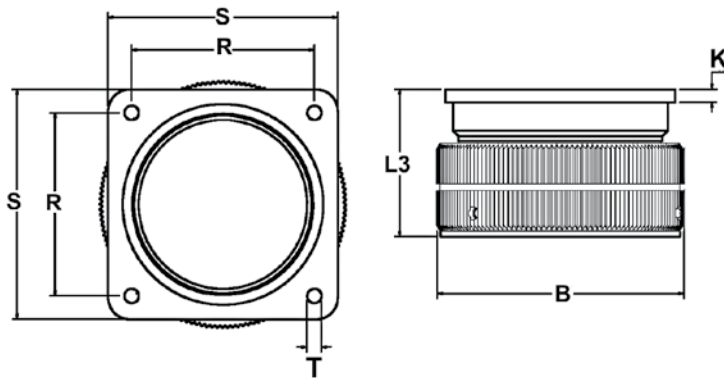


DIMENSIONI INGOMBRO

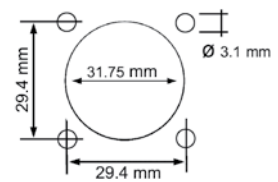
DIMENSIONI CUT-OUT

FEMMINA PANNELLO

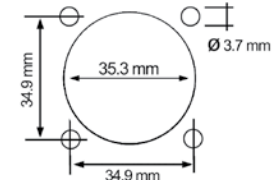


| N° pin | shell size | BØ Max | L3 | K | R | S | T |
|------------|------------|--------|------|------|-------|------|-----|
| | | | Max | ±0.2 | ±0.1 | ±0.3 | H13 |
| 13 - 19 | 20 | 43.0 | 38.1 | 4 | 29.4 | 38.0 | 3.2 |
| 25 | 24 | 50.4 | 40.6 | 4 | 34.9 | 44.5 | 3.7 |
| 37 | 28 | 56.0 | 40.8 | 4 | 39.7 | 50.8 | 3.7 |
| 54 | 32 | 63.0 | 43.7 | 4 | 44.45 | 57.0 | 4.4 |
| 85-100-150 | 40 | 75.0 | 44.8 | 4 | 55.6 | 69.8 | 4.4 |

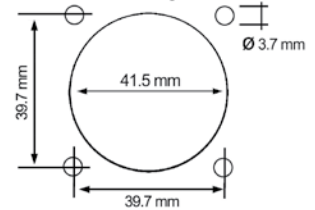
13/19 pin



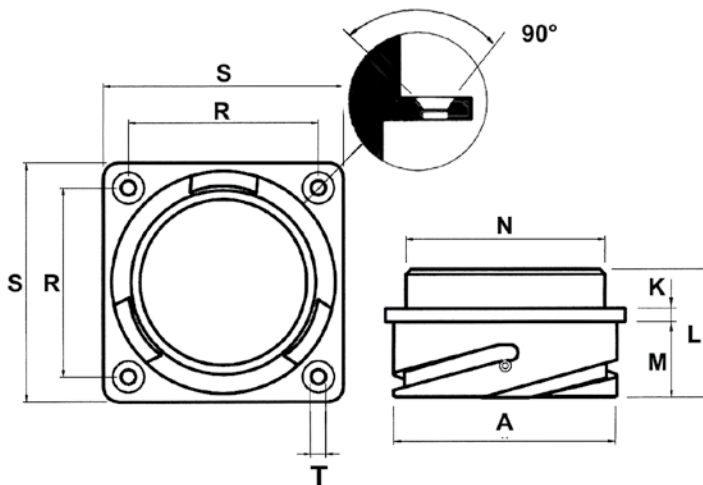
25 pin



37 pin

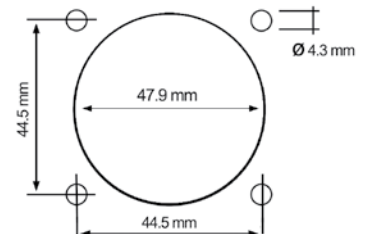


MASCHIO PANNELLO



| N° pin | shell size | AØ | K | L | M | ØN | R | S | T |
|------------|------------|----------|------|------|---------|-------|------|------|-----|
| | | +0/-0.15 | ±0.2 | ±0.3 | ±0.4/-0 | Max | ±0.1 | ±0.3 | H13 |
| 13 - 19 | 20 | 34.2 | 4 | 34.5 | 19 | 31.75 | 29.4 | 38.1 | 3.2 |
| 25 | 24 | 40.9 | 4 | 35.7 | 20.6 | 35.3 | 34.9 | 44.5 | 3.7 |
| 37 | 28 | 46.7 | 4 | 35.7 | 20.6 | 41.4 | 39.7 | 50.8 | 3.7 |
| 54 | 32 | 53.4 | 4 | 37.3 | 22.2 | 47.8 | 44.5 | 57 | 4.3 |
| 85-100-150 | 40 | 65.5 | 4 | 37.3 | 22.2 | 59 | 55.6 | 69.8 | 4.3 |

54 pin



85/100/150 pin

