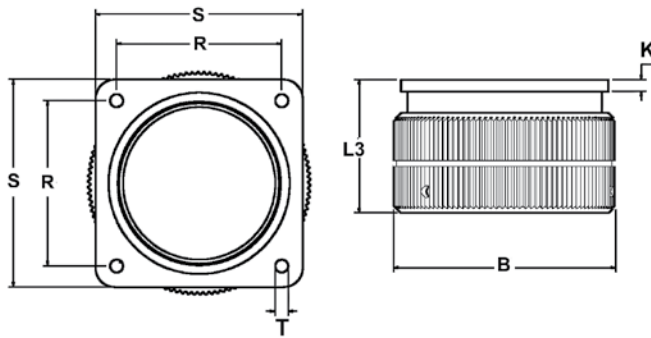


## OVERALL SIZE

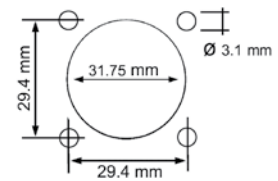
## CUT-OUT DIMENSIONS

### PANEL FEMALE

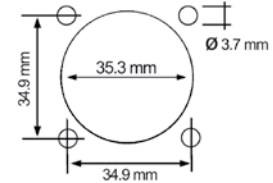


N° pin	shell size	BØ Max	L3	K	R	S	T
			Max	±0.2	±0.1	±0.3	H13
13 - 19	20	43.0	38.1	4	29.4	38.0	3.2
25	24	50.4	40.6	4	34.9	44.5	3.7
37	28	56.0	40.8	4	39.7	50.8	3.7
54	32	63.0	43.7	4	44.45	57.0	4.4
85-100-150	40	75.0	44.8	4	55.6	69.8	4.4

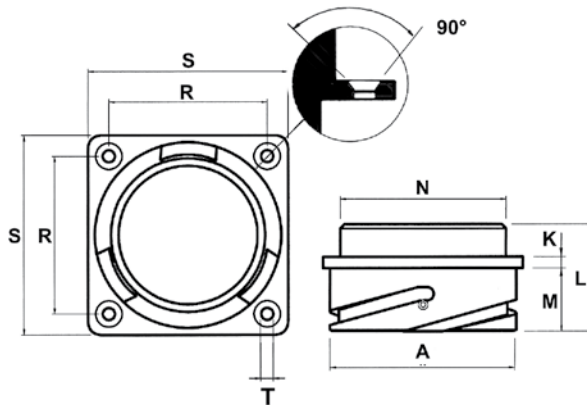
### 13/19 pin



### 25 pin

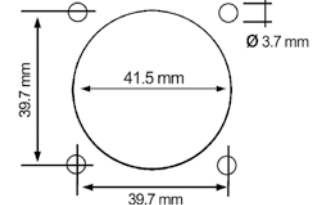


### PANEL MALE

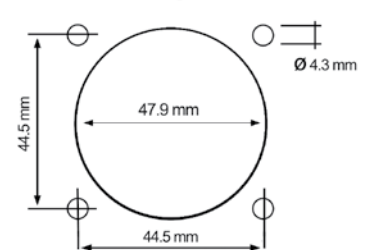


N° pin	shell size	AØ	K	L	M	ØN	R	S	T
		+0/-0.15	±0.2	±0.3	±0.4/-0	Max	±0.1	±0.3	H13
13 - 19	20	34.2	4	34.5	19	31.75	29.4	38.1	3.2
25	24	40.9	4	35.7	20.6	35.3	34.9	44.5	3.7
37	28	46.7	4	35.7	20.6	41.4	39.7	50.8	3.7
54	32	53.4	4	37.3	22.2	47.8	44.5	57	4.3
85-100-150	40	65.5	4	37.3	22.2	59	55.6	69.8	4.3

### 37 pin



### 54 pin



### 85/100/150 pin

